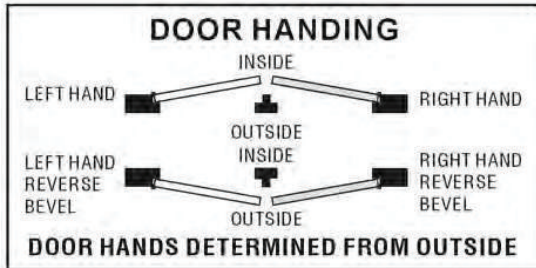
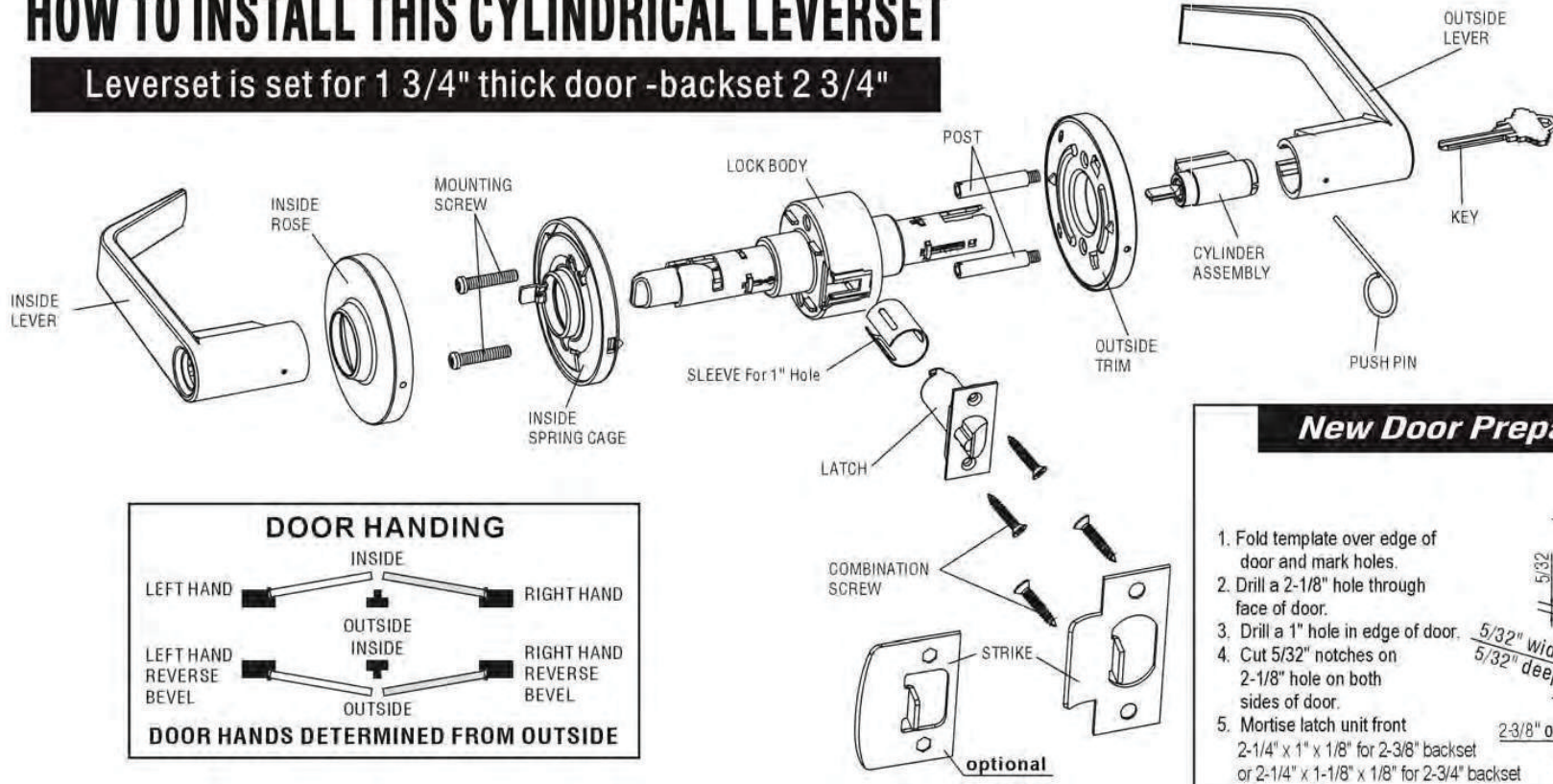


V-Series Standard Duty Grade 2 Lever Lock Installation Instructions



HOW TO INSTALL THIS CYLINDRICAL LEVERSET

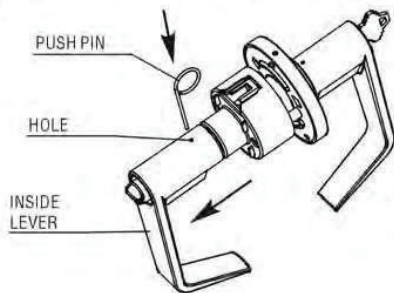
Leverset is set for 1 3/4" thick door - backset 2 3/4"



New Door Preparation

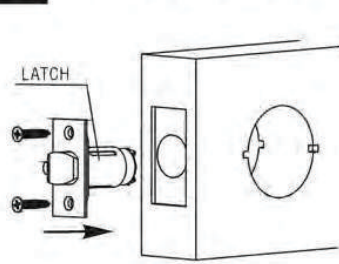
1. Fold template over edge of door and mark holes.
2. Drill a 2-1/8" hole through face of door.
3. Drill a 1" hole in edge of door.
4. Cut 5/32" notches on 2-1/8" hole on both sides of door.
5. Mortise latch unit front
2-1/4" x 1" x 1/8" for 2-3/8" backset
or 2-1/4" x 1-1/8" x 1/8" for 2-3/4" backset

1 DISASSEMBLE INSIDE LEVER

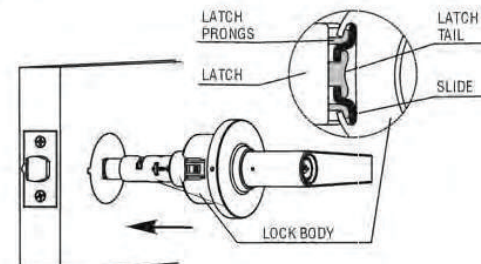


1A: Insert push pin into hole to depress catch and remove the lever.

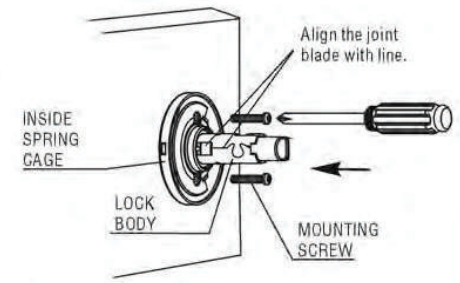
2 INSTALL LEVERSET TO DOOR



2A: Insert latchbolt and secure with combination screws.

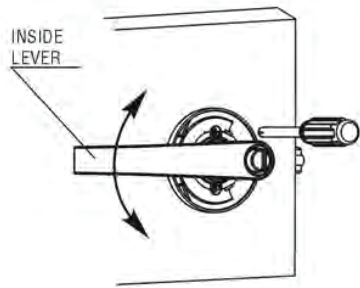


2B: Place lock body into position. Make sure that latch prongs engage chassis in housing, and slide engages latch tail.

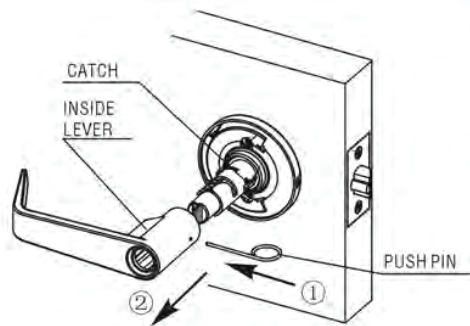


2C: Install inside spring cage. Screws should be hand tightened all the way down with a screwdriver.

Not to scale 1:1. Measurements are for reference only. Not a drilling template.

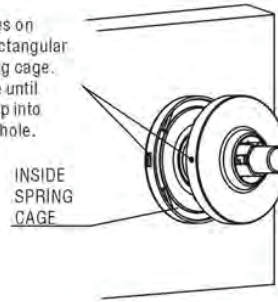


2D: Slide inside lever onto spindle and check to see if the rotation is smooth. Adjust the radial clearance between inside spring cage and inside lever if necessary.

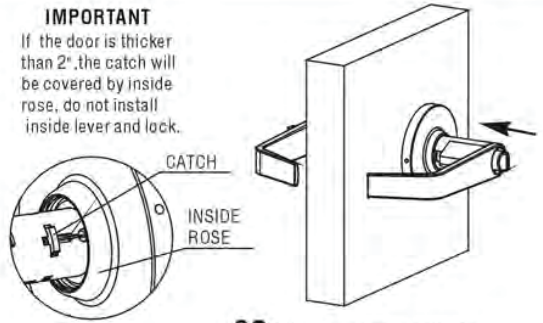


2E: Remove inside lever using push pin.

Align dimples on rose with rectangular hole in spring cage. Push in rose until dimples snap into rectangular hole.



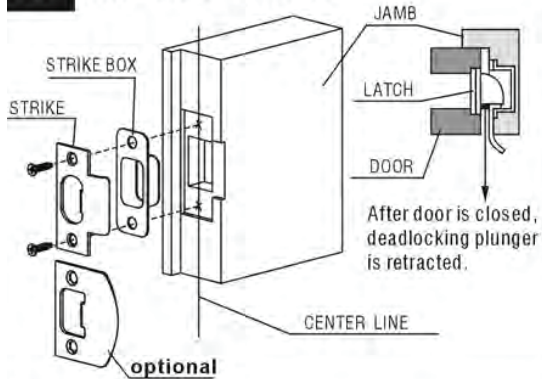
2F: Install inside rose and make sure inside rose and inside spring cage are tightened.



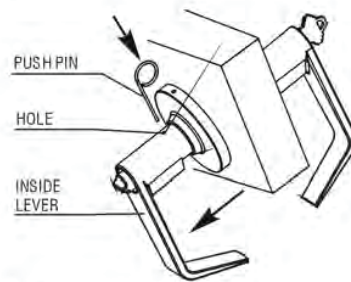
IMPORTANT
If the door is thicker than 2", the catch will be covered by inside rose, do not install inside lever and lock.

2G: Slide lever onto spindle. Push lever completely into place. (Pull on lever to make sure that catch is fully engaged).

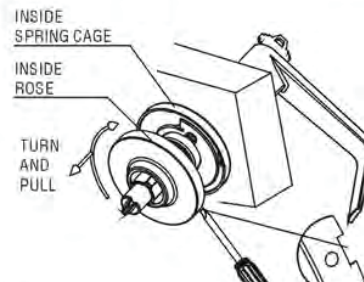
3 INSTALL STRIKE



4 INSTRUCTIONS FOR REMOVING AN INSTALLED LOCK FROM THE DOOR

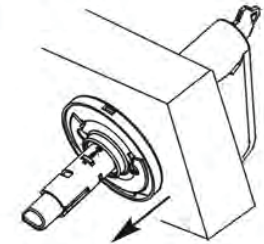


4A: Insert push pin into hole to depress catch and remove the lever.



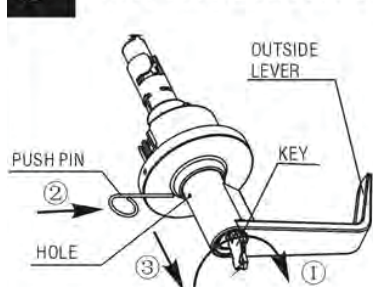
4B: Remove inside rose by turning and pulling off.

Unclench by screwdriver

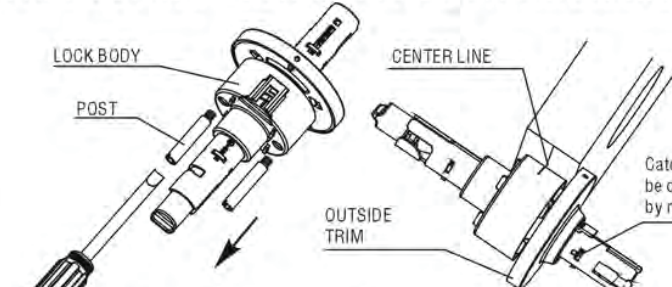


4C: Remove mounting screw with screwdriver and inside spring cage.

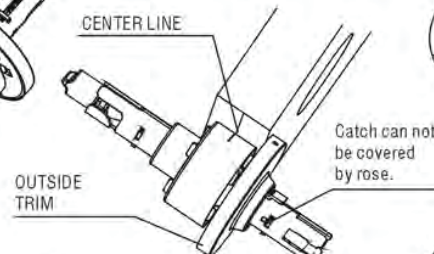
5 INSTRUCTIONS FOR ADJUSTING LOCK TO FIT DOOR THICKNESS OTHER THAN 1-3/4"



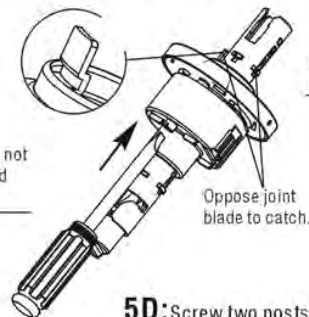
5A: Turn key 75° clockwise, insert push pin into hole in outside lever to depress catch. Remove the outside lever.



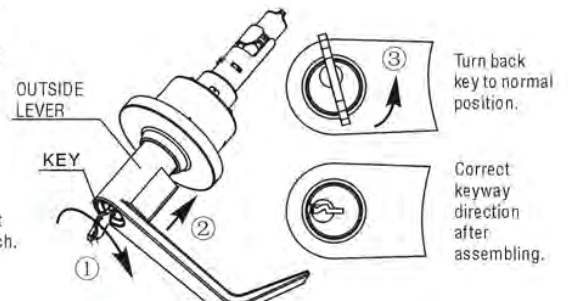
5B: Unscrew two posts in lock body by screwdriver.



5C: Adjust outside trim according to the door thickness, make sure the lock body at both sides is symmetrical.



5D: Screw two posts back in so they hold the outside rose tightly.



5E: Turn key approximately 80° clockwise and push the lever all the way onto the spindle and then turn key back to normal position.