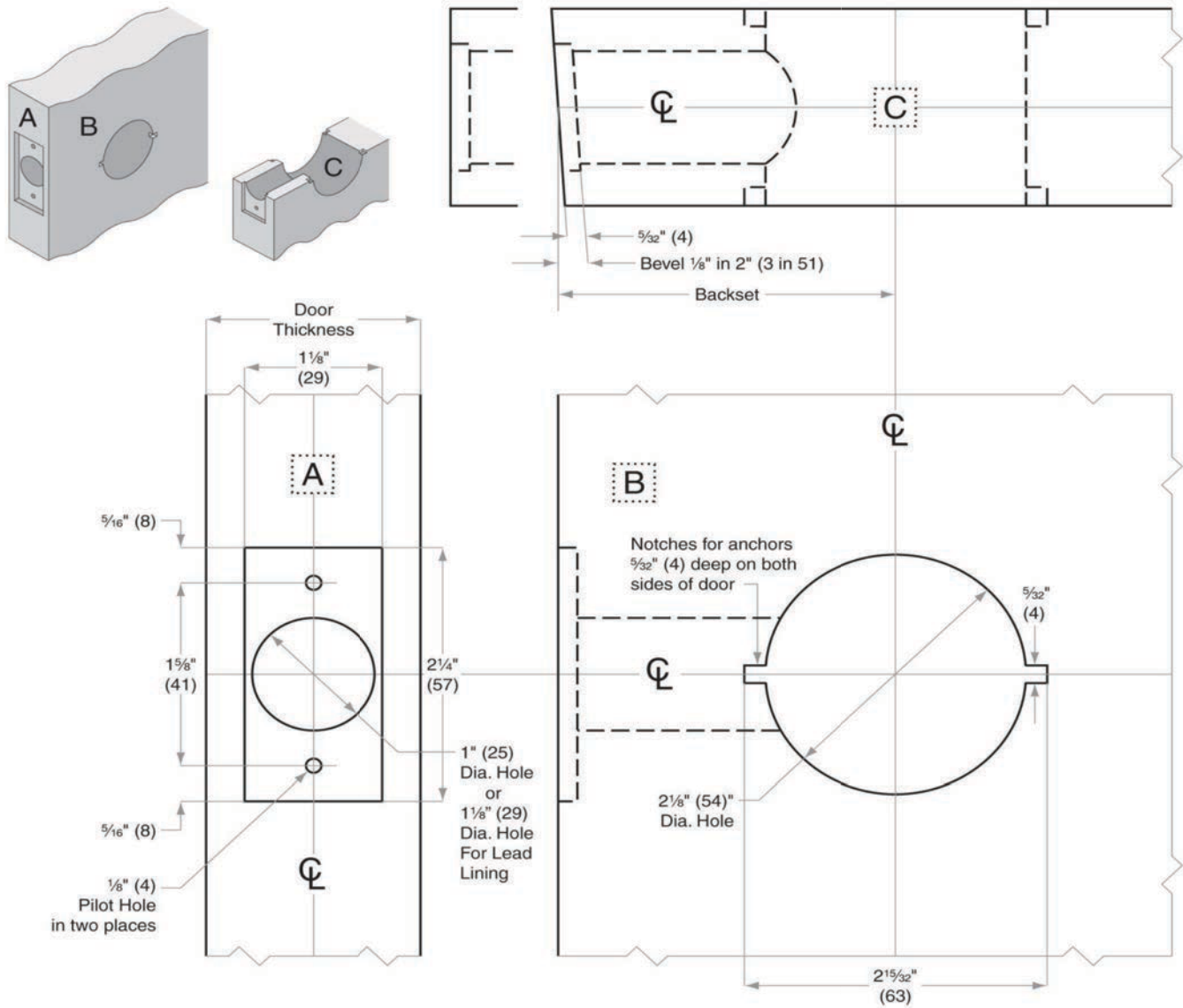


V-Series Lock 2 3/4" Backset Template



<p>Template No. V.234</p>	<p>Design Hardware V Series Cylindrical Lockset</p>	<p>Functions 75, 76, 82, 84, 86, 87 w/ Std. 2 3/4" Latch</p>
---	---	---

Not to scale 1:1. Measurements are for reference only. Not a drilling template.