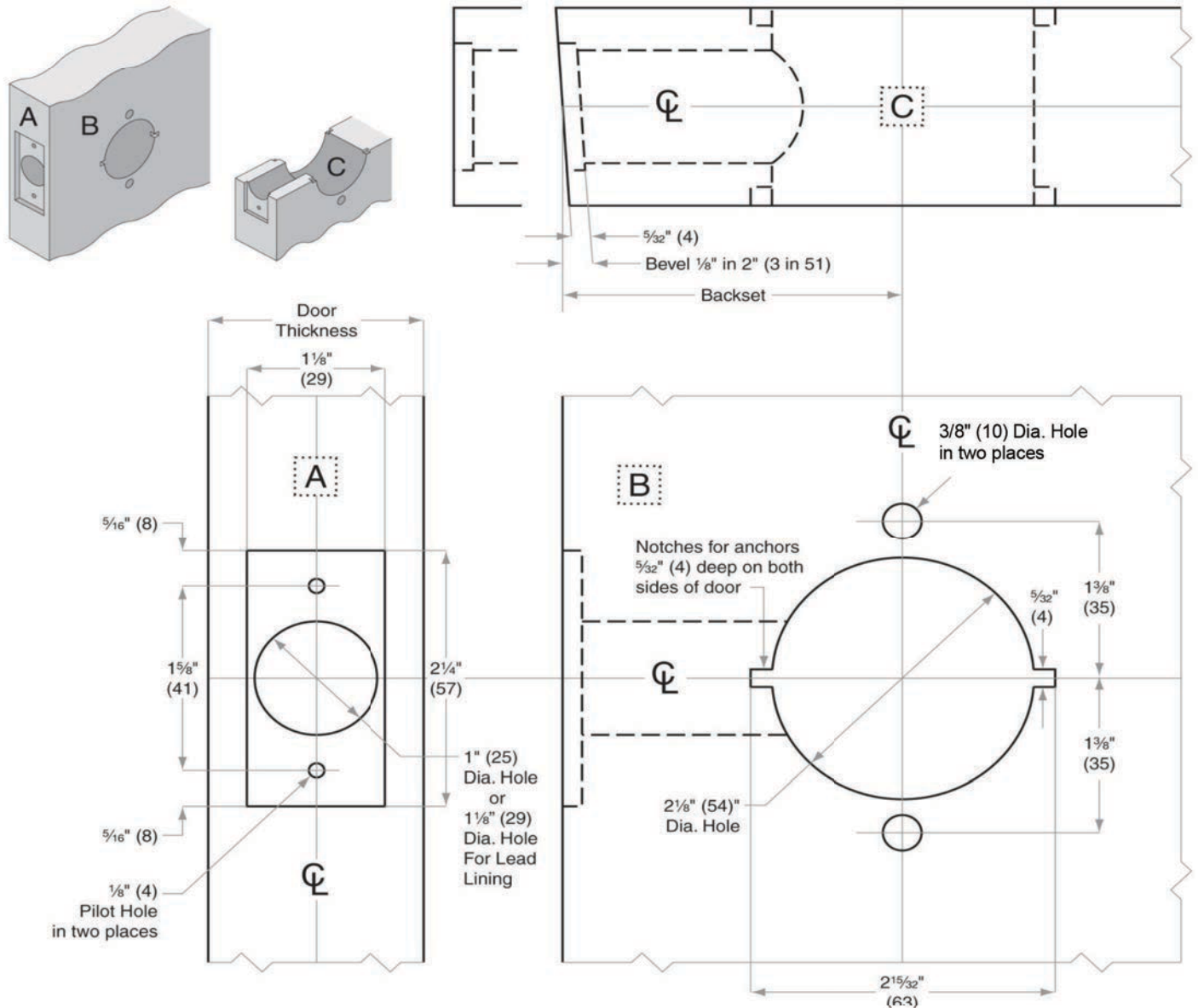


X-Series Heavy Duty Lock 2 3/4" Backset Template



<p>Template No. X.234</p>	<p>Design Hardware</p> <p>X Series Cylindrical Lockset</p>	<p>Functions</p> <p>61, 75, 76, 82, 84, 86, 87, 90, 110 82IC, 84IC, 86IC, 87IC, 90IC, 110IC</p> <p>w/ Std. 2 3/4" backset</p>
---	--	---

Not to scale 1:1. Measurements are for reference only. Not a drilling template.